

Water-purification bicycle

Mobile Oasis

The bicycle that purifies water!

Unlimited potential - From disaster areas to any location with unclean water

Disaster Preparedness Item



Performance Bicycle

Mobile Oasis is your everyday, high-performance bike. With a rear rack, front basket and puncture-proof tires, this 5-speed bicycle handles all your biking needs, even when not equipped with the purification device.

Power of Pedaling

Pump water from rivers, lakes, pools, etc. just with the power of pedaling. No electricity, gasoline or outside power source needed to operate the pump and filtration system.

Pump and Purify

Pump water from any source with Mobile Oasis to meet your water needs in an emergency. Mobile Oasis provides three levels of water quality: strained water, domestic water and purified drinking water. And, alternate purified water backwashing keeps the filters functioning for a long time.

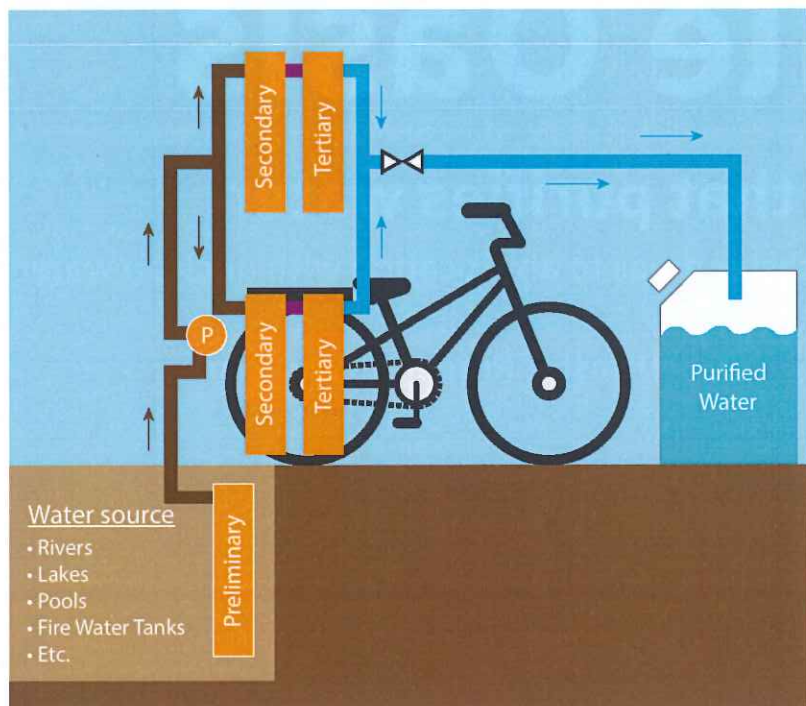
Pure Bicycle. Pure Water. Pure Genius.

ROGRESS BOEKI CO., LTD.

SOUTH OIKE 1F 345 ENPUKUJI-CHO, MUROMACHI-DORI
OIKE SAGARU, NAKAGYO-KU KYOTO 604-8175, JAPAN

TEL: 81-75-950-1105 | E-MAIL: boeki@rogress.com | WEB: www.rogress.com

Water-purification bicycle **Mobile Oasis**



Pedal the bike to power the pump

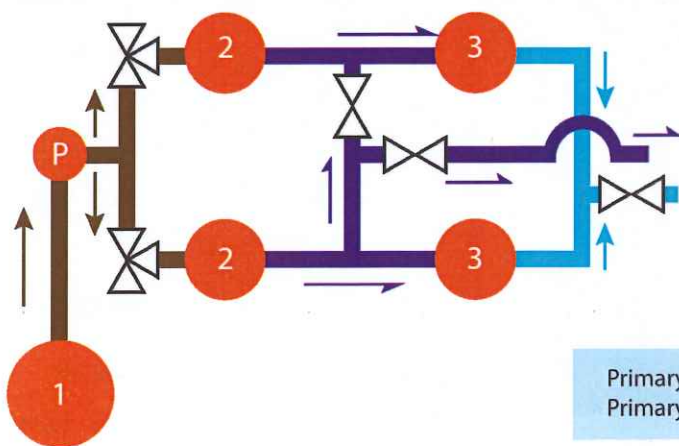
Preliminary filter (prefilter)
eliminates large debris

Secondary filter
(activated charcoal filter) removes
chemical substances and odors

Tertiary filter (hollow fiber
membrane filter) removes bacteria and
fine particles to produce
safe drinking water

- The above filter system is a basic configuration. Filter configuration can be changed depending on water quality and operating environment.
- Seawater and salt water filtration is not possible.

Long-life type (double parallel water purification backwashing system)



Primary Filter + Secondary Filter = Domestic Water
Primary Filter + Secondary Filter + Tertiary Filter = Drinking Water

What is the Purified Water Backwashing System?

The Purified Water Backwashing System uses purified water to clean one filter with water – purified by the other filter – in a parallel configuration. This process is then alternated between the two filters. Purified water backwashing dramatically prolongs filter life.

SPECIFICATIONS

Basic filter configuration:	Bobbin Wound • Hybrid • Hollow Fiber Membrane
Removes:	Turbidity • Odor • General Bacteria • E. coli
Processing capacity:	4.5 L / min
External dimensions:	1,770 mm L x 580 mm W x 1,200 mm H
Overall weight:	36 kg (41 kg when filled)
Weight of purification system:	12 kg (17 kg when filled)
Water Sources:	Rivers • Lakes • Pools • Fire Water Tanks • Etc.
Patented:	Japan • USA • China • Taiwan

Distributor:

ROGRESS BOEKI CO., LTD.

SOUTH OIKE 1F 345 ENPUKUJI-CHO, MUROMACHI-DORI
OIKE SAGARU, NAKAGYO-KU KYOTO 604-8175, JAPAN

TEL: 81-75-950-1105
E-MAIL: boeki@rogress.com
WEB: www.rogress.com